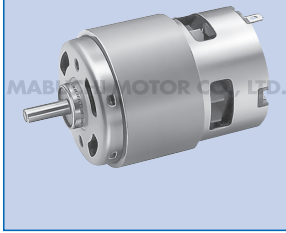


RS-755VC/WC

OUTPUT : 8.0W ~ 210W (APPROX)

カーボンブラシ | Carbon-brush motors | 碳精電刷



WEIGHT : 336g (APPROX)

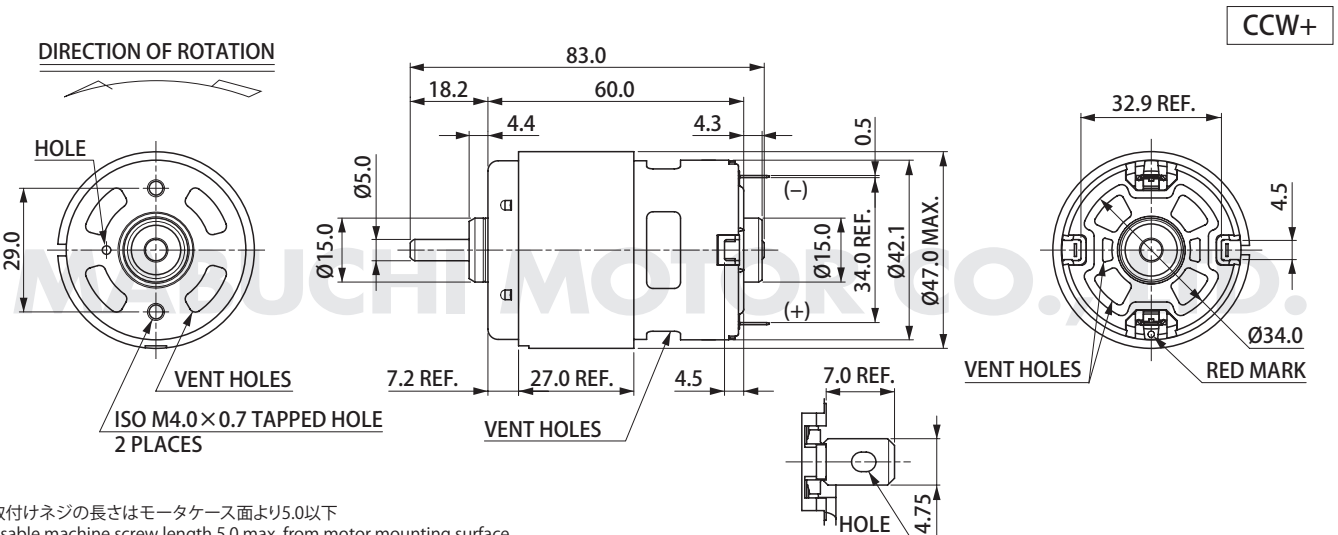
代表的用途 工具：ドリル／ガーデンツール／丸のこ

Typical Applications Cordless Power Tools : Drill / Cordless Garden Tool / Circular Saw

主要用途 工具：電钻、园艺工具、圆锯

MODEL	VOLTAGE		NO LOAD		AT MAXIMUM EFFICIENCY					STALL		
	OPERATING RANGE	NOMINAL	SPEED	CURRENT	SPEED	CURRENT	TORQUE		OUTPUT	TORQUE		CURRENT
			r/min	A	r/min	A	mN-m	g-cm	W	mN-m	g-cm	A
RS-755VC-8514 (*1)	6.0~14.4	14.4V CONSTANT	20200	2.70	17610	18.4	111	1127	204	863	8797	125
RS-755VC-4540 (*1)	9~32	18V CONSTANT	8800	0.70	7470	3.92	63.9	651	49.9	422	4302	22.0
RS-755WC-6522 (*1)	9~24	18V CONSTANT	15200	1.70	13040	10.3	100	1022	137	706	7197	62.0

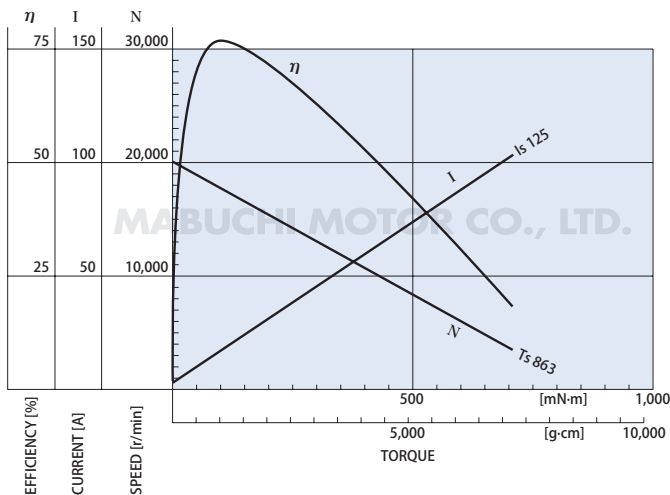
(*1) CCW進角仕様 (CCW+) | CCW shifted commutation (CCW+) | CCW進角规格 (CCW+)



取付けネジの長さはモータケース面より5.0以下
 Usable machine screw length 5.0 max. from motor mounting surface.
 安装螺丝的长度须从马达壳面算起5.0以内

UNIT : MILLIMETERS

RS-755VC-8514 14.4V



RS-755WC-6522 18.0V

